



# MGPL

An ISO 9001:2000 Certified Company

# CARBIDE LIMIT and AIR GAUGES

## CARBIDE PLUG GAUGE

- Carbide Plug Gauges are normally supplied with GO in Carbide & NOGO in stabilised steel.
- Both can be supplied in carbide as per requirement.
- MGPL gauges have excellent wall thickness to give desired results.

● **Range**

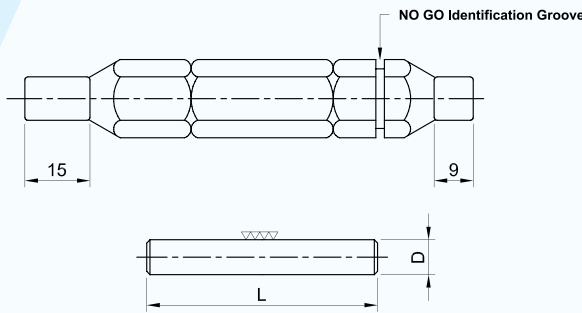
- 0.5 to 8 mm      Reversible type design
- 8 to 40 mm      Taper shank design
- 40 to 60 mm      Trilock design
- 60 to 400 mm      Plate type Plug Gauge

- Extra length up to 100 mm can be supplied as per requirement.

NOTE : GO & NOGO Size Manufactured As Per IS 3455 (1971) Unless Specified.



### Reversible Type Design 0.5 to 8 mm



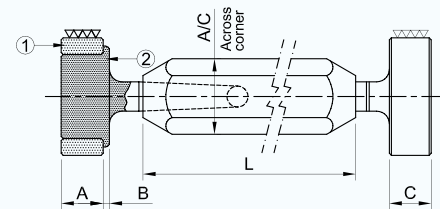
- Gauging Members is SOLID TUNGSTEN CARBIDE.
- Handle is made of Aluminium (with Brass/Aluminium Collets to hold the Gauging Member).

GO MEMBER 'L' = 25 mm  
NO GO MEMBER 'L' = 20 mm

**HANDLE DETAILS**

Range D	Handle L	A/C of Hex.
0.5 to 1.9 (1W)	67	7.5
1.9 to 4.7 (2W)	79	10.5
4.7 to 7.1 (3W)	88.5	16
7.1 to 8.0 (4W)	99	21.5

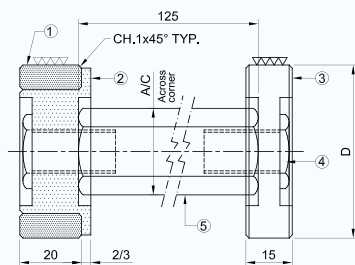
### Taper Shank Design 8 to 40 mm.



- Tungsten Carbide Ring of Special Wear resisting Grade.
- EN-31 Support Shank to Carbide Ring.
- NO GO Member of EN-31 (Hardness : 60±2 HRC) Silver as Brazing Media.

Range D	A	B	C	L	A/C of Hex.
8-10	10	2	07	56	Ø10
10-14	10	2	07	63	Ø12.5
14-18	15	2	10	70	Ø16
18-24	15	2	12	80	Ø19
24-30	15	2	14	80	Ø19
30-40	15	5	15	80	Ø25

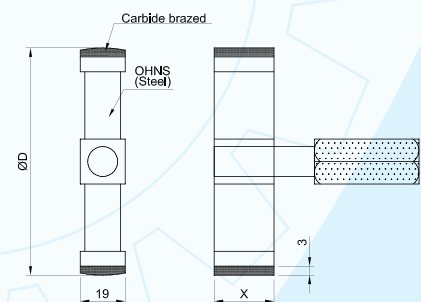
### Trilock design 40 to 80 mm



40 to 60mm Double Ended Trilock Design

- Tungsten Carbide Ring of Special Wear resisting Grade.
- EN-31 Support Shank to Carbide Ring.
- NO GO Member of EN-31 (Hardness : 60± 2 HRC).
- Standard Bolt of M10 for fitment.
- Aluminium Handle dully marked with GO, NO GO Sizes and as per customer Specification.
- 60 to 80mm Single Ended Trilock.

### Plate type Plug Gauge 60 to 400 mm



Carbide Plate Type Plug Gauge  
GO & NO GO in Carbide

X - NOGO - 20  
GO - 25

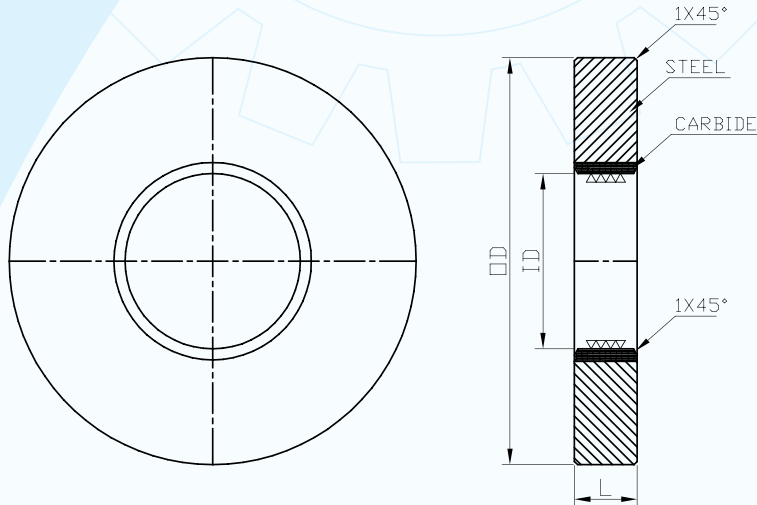
Following designs can be supplied as per requirement.

- Extra Length Plug Gauge.
- Air Groove on Plug Gauge.
- Paddle Type Plug Gauge.

## CARBIDE RING GAUGE

- MGPL Carbide Ring Gauges are normally supplied GO in Carbide & NOGO in steel.
- GO & NOGO both can be supplied if required in Carbide.
- Setting Rings are manufactured in Carbide.
- Extra length Ring Gauges can be supplied.
- Manufacturing Range : 4 to 83 mm.

NOTE: GO & NOGO Size Manufactured As Per IS 3455 (1971) Unless Specified.

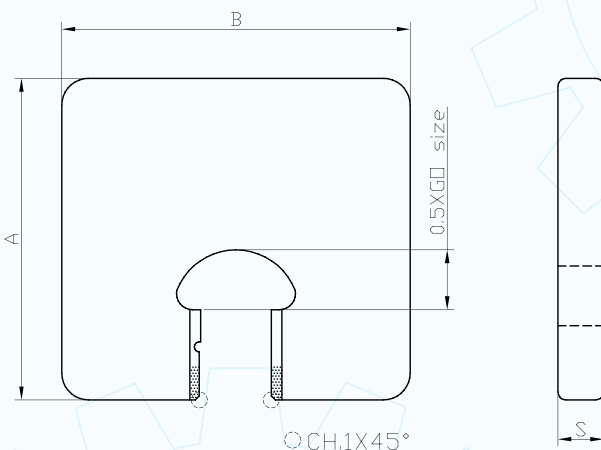


SR. NO.	RANGE (ID)	STEEL OD KNURLED	L
1	4-8	30	10
2	8-10	38	15
3	10-20	45	15
4	20-27.5	53	15
5	27.5-35	63	20
6	35-40	71	20
7	40-50	85	20
8	50-67	100	20
9	67-71	105	20
10	71-75	110	20
11	75-80	115	20

## CARBIDE SNAP GAUGE

- Gauges as per customer design can be supplied.
- Supplied normally in single ended design.
- Manufacturing Range : 3 to 300 mm.

NOTE: GO & NOGO Size Manufactured As Per IS 3455 (1971) Unless Specified.



### Material

- Gauge Frame : Toughened steel body marked with GO & NO-GO sizes.
- Gauging Jaw Tips : Tungsten Carbide.

SR. NO.	RANGE	A	B	GO LENGTH	NO-GO LENGTH	S
1	4-16	49	56	10	07	4.5
2	16-25	60	65	12	07	8.5
3	25-32	70	80	12	07	8.5
4	32-40	72	90	12	07	8.5
5	40-50	88	100	12	07	8.5
6	50-63	100	118	12	07	8.5
7	64-72	121	105	12	07	9.4
8	72-78	130	110	12	07	9.4
9	78-80	136	114	12	07	9.4

Above 80 mm Cast Iron Body.

Following designs can be supplied as per requirement.

- Blade Type Snap Gauge.
- Groove Type Gauge.
- Template Type Snap Gauge.
- Double Ended.

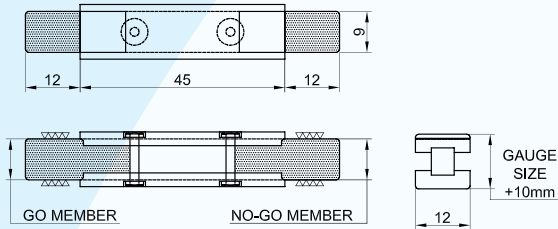
# CARBIDE WIDTH GAUGE

- MGPL has designed Carbide Width Gauges in reversible type design to suit a) Piston Industries, b) Pumps & Motors Industries. c) Automobile & Crankshaft manufacturers.
- Special gauges like Woodruff Width Gauges & Crankpin Width Gauges in Carbide are most suitable to crankshaft manufacturers.
- Setting Masters in +/-1 micron can be supplied.

NOTE: GO & NOGO Size Manufactured As Per IS 3455 (1971) Unless Specified



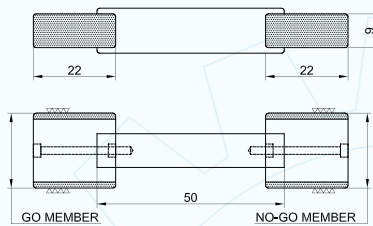
## Range : 0.5 mm to 10 mm



### Material :

- Aluminium Handle : Duly marked with GO & NO GO sizes & NO GO identification groove.
- Go Member : Solid Tungsten Carbide.
- No-Go Member : Solid Tungsten Carbide.

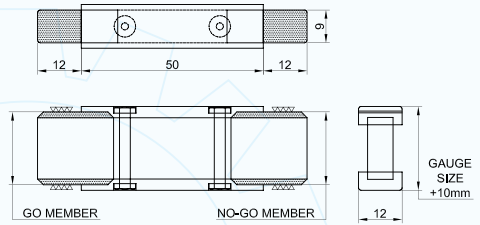
## Range : Above 20mm



### Material :

- Handle : Duly marked with GO & NO GO sizes & NO GO identification groove.
- OHNS Supports (Hardened).
- Tungsten Carbide Flats : 22mm X 9mm X 2.5mm.

## Range : 10 mm to 20 mm



### Material :

- Steel Handle : Duly marked with GO & NO GO sizes & NO GO identification groove.
- OHNS Supports (Hardened).
- Tungsten Carbide Flats : 22mm X 9mm X 2.5mm.

# MEASURING PINS

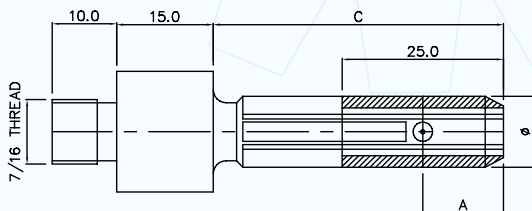
- MGPL supplies Carbide Measuring Pins in Two grades.
- Grade I : Manufacturing Tol = +/-0.001mm.
- Grade II : Manufacturing Tol = +/-0.002mm.
- Normally having L=25mm, 50mm.
- Pins with close tolerance of  $\pm 0.5\mu\text{m}$  can also be supplied.
- Range 0.5mm to 20mm.

# CARBIDE AIR PLUG GAUGE

- Can be supplied for Through Bore/ Blind Bore applications.
- Adjustable depth collars can be provided for checking at specific depth.  
Range : 5mm to 100mm Chrome Plated Steel  
Range : 10mm to 50mm in carbide
- Please specify the unit for which Air Plug Gauge is required.

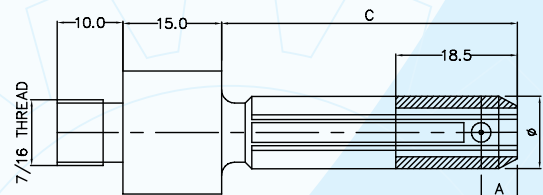


## THROUGH BORE



Ø	A	C
09 - 50	12.5	45

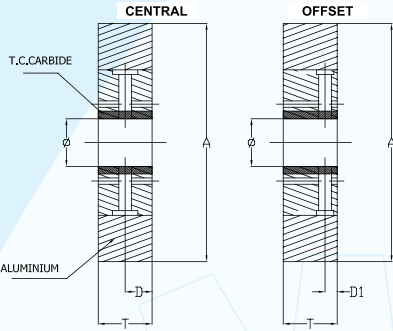
## BLIND BORE



Ø	A	C
09 - 50	4.5	45

# CARBIDE AIR RING GAUGE

- Offered with Jet at Center or at Corner for stepped shaft.  
Range : 5mm to 100mm Chrome Plated Steel.  
Range : 10mm to 50mm in carbide.
- Please specify the unit for which Air Ring Gauge is required.



TYPE - CENTRAL / OFFSET

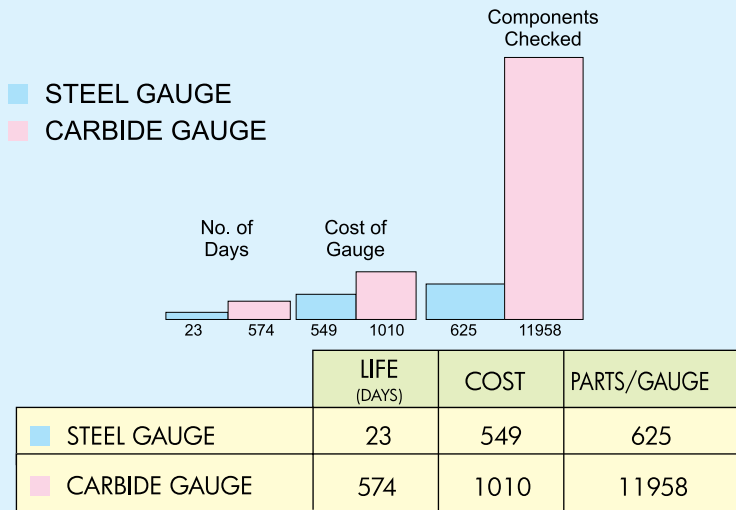
Ø	A	T	D	D1
10-20	63±1	20	10	4
20-30	63±1	20	10	4
30-40	84±1	20	10	4

# AIR SNAP GAUGE

- Offered with Jet at Center or at Corner.  
Range : 10mm to 100mm with V resting in Carbide.
- Carbide Air Snap Gauge with Jet fixed in Carbide Tip.
- Please specify the unit for which Air Snap Gauge is required.



# STEEL VS CARBIDE GAUGE



UNIT-1



UNIT-2



### Stunning Observation

Gauge cost per component with steel gauge was 0.87 Ps.  
Gauge cost per component with MGPL Carbide Gauge was 0.08 Ps.

## MGPL OTHER PRODUCTS

Air Gauge Unit, Air Electronics Units, OBD Unit, Dial Snap Gauges, Multigauge & Computer Aided Multigauging & Fixtures.



### MIKRONIX GAUGES PVT. LTD.

B-25/29, MIDC Industrial Area,  
Chikalthana, Aurangabad - 431 210. (M.S.) INDIA.  
Tel. : 0091 - 240 - 2483059, 2482210, 2480629  
Fax : 0091 - 240 - 2481323, 2483061.  
Email : sales1@mikronix-gauges.com  
sales2@mikronix-gauges.com  
Web : www.mikronix-gauges.com

### Branch Office :

Delhi : 09812534970  
Chennai : 09790857162, 09994584288, 09444016241  
Bangalore : 09448783007, 09738521810  
Coimbatore : 09442340838